

# ENERGIZER A544



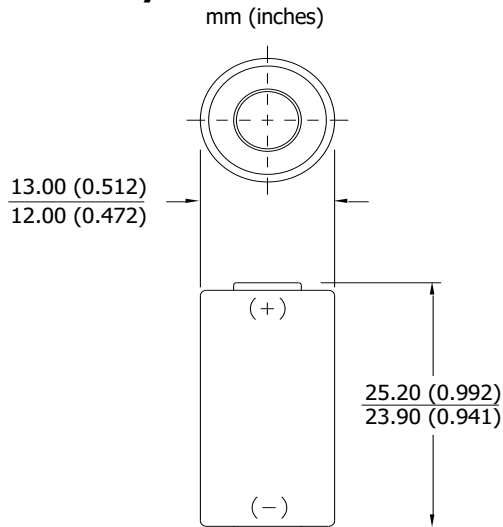
**ZERO**MERCURY®

**Miniature Alkaline**

## Specifications

- Chemical System:** Manganese Dioxide (MnO<sub>2</sub>)
- Designation:** ANSI/NEDA-1414A, IEC-4LR44
- Nominal Voltage:** 6.0 volts
- Typical Weight:** 9.8 grams (0.3 oz)
- Typical Volume:** 3.3 cubic centimeters (0.2 cubic inch)
- Typical Capacity:** 152 mAh to 3.6 volts (rated at 27k ohms at 21°C)
- Cells:** Four No. LR44 in series
- Jacket:** Metal

## Industry Standard Dimensions



Designed specifically for photo use

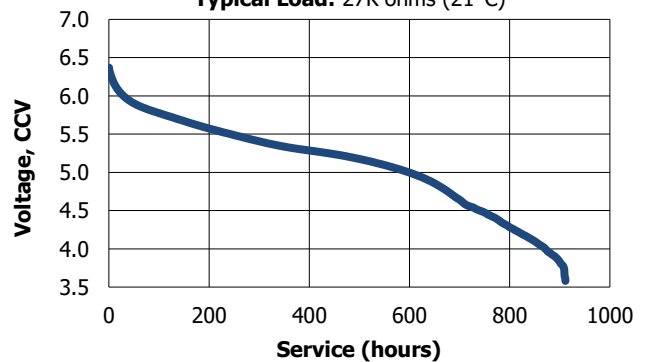
## Typical Discharge Characteristics

21°C (70°F)

Schedule (time)	Drain (mA)	Load (ohms)	Cutoff Voltage
			3.6V (hours)
Continuous	0.187	27K	910

## Discharge Characteristics

Schedule: Continuous  
Typical Load: 27K ohms (21°C)



### Important Notice

This datasheet contains typical information specific to products manufactured at the time of its publication. **Contents herein do not constitute a warranty and are for reference only.**